



BERG BIKY

Productsheet



BIKY MINI, BIKY CITY, BIKY CROSS, BIKY RETRO

Great for the **city**
Made for **adventure!**

[BERGTOYS.COM](https://www.bergtoys.com)

years

2.5

85 to 120 cm



BERG BIKY

The BERG Biky is a balance bike for children aged 2 to 5. The BERG Biky has a striking, sturdy appearance thanks to its distinct design and double bicycle fork. Made of lightweight magnesium, the bike features a steering angle limiter, adjustable saddle and comfortable pneumatic tyres.



- High-tech, lightweight frame combined with a modern sporty design.
- Tough off-road look thanks to double bicycle fork.
- Learning to balance and steer is easy thanks to in-built steering angle limiter.
- Lightweight and easy to transport.
- Built-in footrests with non-slip surface.
- Adjustable saddle.
- Pneumatic or EVA+ tyres.
- Choose from four varieties: mini/city/cross/retro.
- Suitable for children aged 2 to 5 years.
- Numerous handy accessories such as a safety flag, helmet, kickstand and carry strap.

Great for the **city**
Made for **adventure!**





THE POWER OF LIGHTWEIGHT

By using the latest production techniques and lightweight magnesium, BERG has been able to develop an exceptionally sturdy frame with a very low weight. This makes the bike both easy to handle and great to ride.

A further advantage of the Biky being lightweight is that it's easy to take with you on public transport or in your car. A handy shoulder strap is also available as an accessory for the BERG Biky. This means you can easily take the bike with you on a walk through the park or the city



ONLY 950G
FRAMEWEIGHT

BIKY!
BIKY!
BIKY!
BIKY!

Great for the **city**
Made for **adventure!**





THE IMPORTANCE OF GOOD ERGONOMICS

With its low instep and the height-adjustable saddle, the Biky is easy to mount and suitable for children between 85 cm and 120 cm tall.

The saddle clamp is integrated into the frame and can be easily operated with the Allen key included. This makes height adjustment easy and stepless.

With the 10" Biky — the Biky Mini — the saddle height starts at 29.5 cm. With 12" Bikys (City, Cross and Retro), the saddle height starts at 32 cm.



BIKY!
BIKY!
BIKY!
BIKY!

**INTEGRATED
FOOTREST**

Integrated foot supports with anti-slip material ensure seamless balance

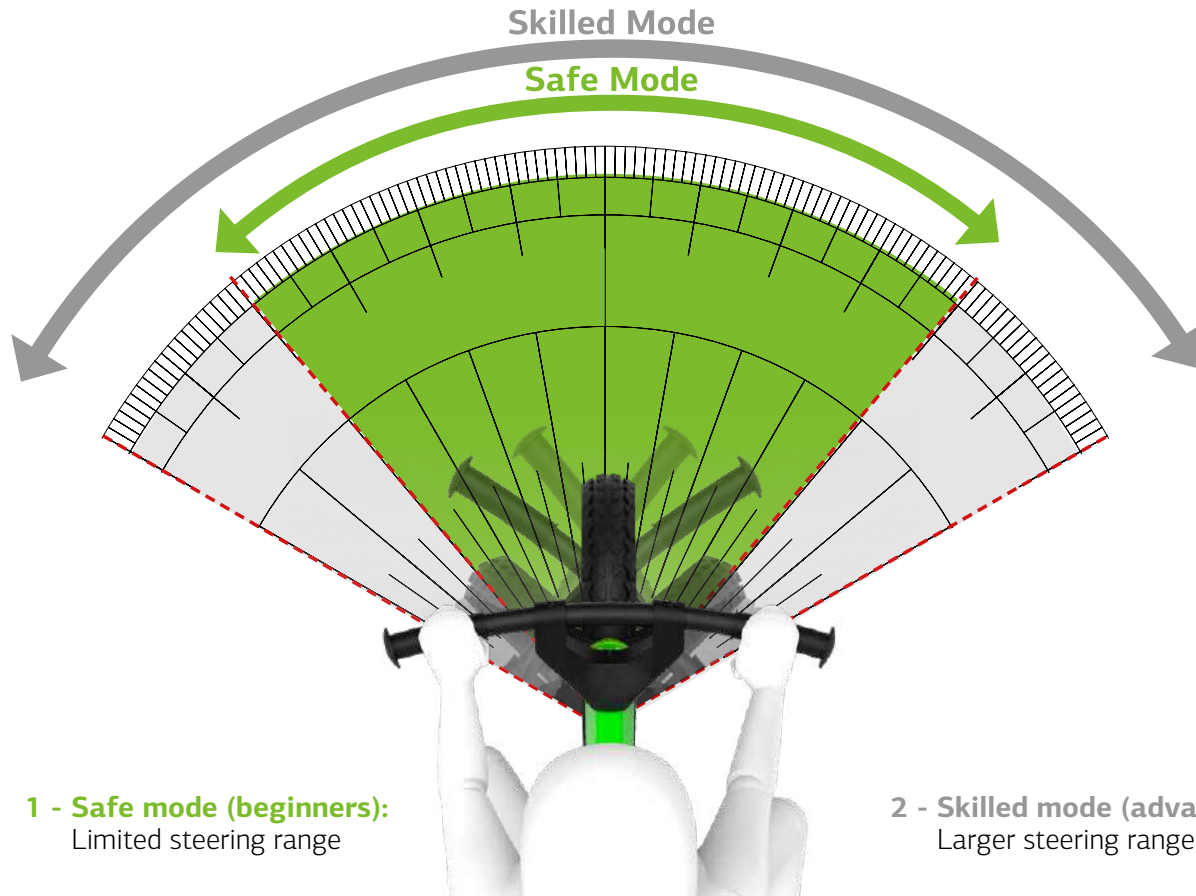
Great for the **city**
Made for **adventure!**





CONTROLLED STEERING

A balance bike is the best preparation for independent cycling. Balancing on two wheels while learning to steer at the same time is quite a challenge at a young age. To prevent the handlebars from suddenly oversteering, we have equipped the BERG Biky with a steering angle limiter which can be adjusted to a position for beginners or for advanced riders.



Great for the **city**
Made for **adventure!**





24.75.10.00

24.75.11.00

BERG BIKY MINI

Great for the city made for adventure

Is the Biky City still a little too big for you and you want to hit the road? Then how about the same model with 10" rims, the Biky Mini? It's slightly easier to mount. You can get started on this from the age of 2, and if you get fed up, Mum or Dad can easily carry the Biky. That's how light it is



The BERG Biky Mini is available in red and green

Product weight: 3.6 kg
Weight + box: 5.2 kg
Box size (cm): 66x14x47



BERGTOYS.COM

EAN-CODE BIKY GREEN: **8715839077735**
EAN-CODE BIKY RED: **8715839077742**





24.75.30.00

24.75.31.00

BERG BIKY CITY

Great for the city made for adventure

The Biky City has all you would expect from a balance bike. And loads of extras too. Standard, robust 12" rims with tyres. The magnesium frame is super-strong and keeps the bike conveniently light. The Biky also has a wonderful adjustable saddle. You could ride to the end of the world (and back)!



The BERG Biky City is available in red and green

Product weight: 4.8 kg
Weight + box: 6.0 kg
Box size (cm): 66x14x47





24.75.70.00

24.75.71.00

24.75.72.00

BERG BIKY CROSS

Great for the city made for adventure

Prefer going off the beaten track? Want to ride through the grass and mud? Then the Biky Cross is ideal. With lightweight aluminium rims and a gold-anodised bicycle fork, you'll really make a splash. The special saddle provides a really sporty seat. Go off road!



The BERG Biky Cross is available in green, red and grey

Product weight: 4.0 kg
Weight + box: 5.2 kg
Box size (cm): 66x14x47



BERGTOYS.COM

EAN-CODE BIKY GREEN: **8715839077797**
EAN-CODE BIKY RED: **8715839077803**
EAN-CODE BIKY GREY: **8715839077810**





24.75.50.00

24.75.51.00

BERG BIKY RETRO

Great for the city made for adventure

Prefer something a bit more classic? Want to ride in style? Opt for the Biky Retro. Just like the Biky City, this is a lovely balance bike and its alloy bicycle fork makes it a real eye-catcher. The handy detachable retro backpack means you can easily take your teddy, doll or a picnic with you wherever you like.



- Adjustable saddle height
Min=32 cm
- Robust and extra light frame
- Retro design pattern
- In-built footrests with non-slip surface
- Comfortable handle pads
- Ages 2.5 and above
- Equipped with detachable backpack
- Aluminium double bicycle fork for a cool and sporty look.
- 12" Retro pneumatic tyres



The BERG Biky Retro is available in green and pink

Product weight: 4.3 kg
Weight + box: 5.6 kg
Box size (cm): 66x14x47



BERGTOYS.COM

EAN-CODE BIKY GREEN: **8715839077773**
EAN-CODE BIKY RED: **8715839077780**





BIKY ACCESSOIRES

Great for the city made for adventure

Accessory	Art. nr.	Productweight	Productweight+ box	Box size in CM
1 BERG Biky Protection Cushion*	16.00.05.00	0.01 kg	0.05 kg	15 x 15 x 1
2 BERG Helmet S (48 - 52 cm)	16.00.04.00	0.35 kg	0.5 kg	21 x 24 x 17
3 BERG Biky Kickstand	16.00.06.00	0.2 kg	0.13 kg	14 x 70 x 35
4 BERG Biky Safety Flag	16.00.07.00	0.2 kg	0.35 kg	18 x 62 x 5
5 BERG Carrying Strap	16.00.01.00	0.1 kg	0.15 kg	8 x 8 x 13

1



**BERG Biky
Protection Cushion**

2



BERG Helm S (48-52cm)

3



BERG Biky Kickstand

4



BERG Biky Safety Flag

5



BERG Carrying strap

* BERG Biky Mini, City and Retro only

*Great for the **city**
Made for **adventure!***

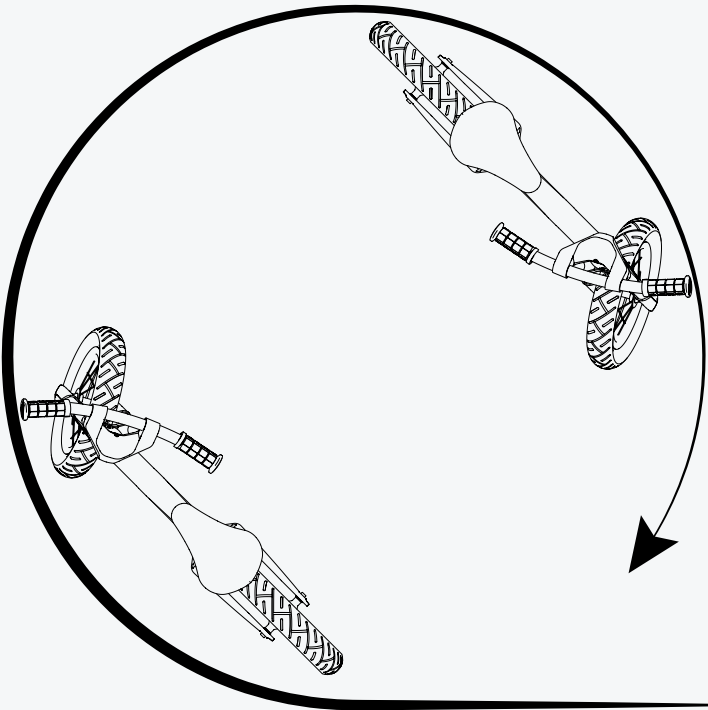




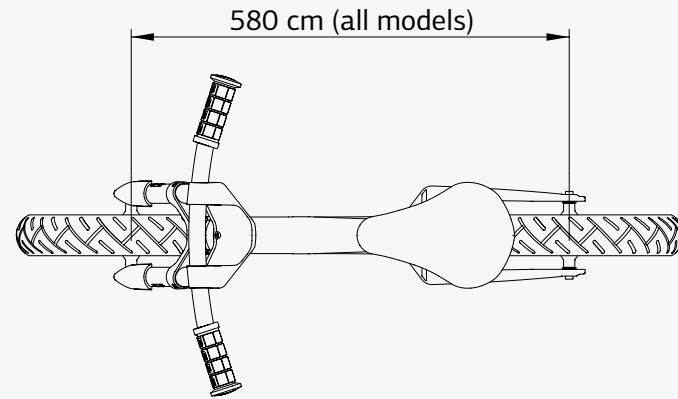
BERG BIKY DATA

Great for the city made for adventure

The following information applies to all Biky models



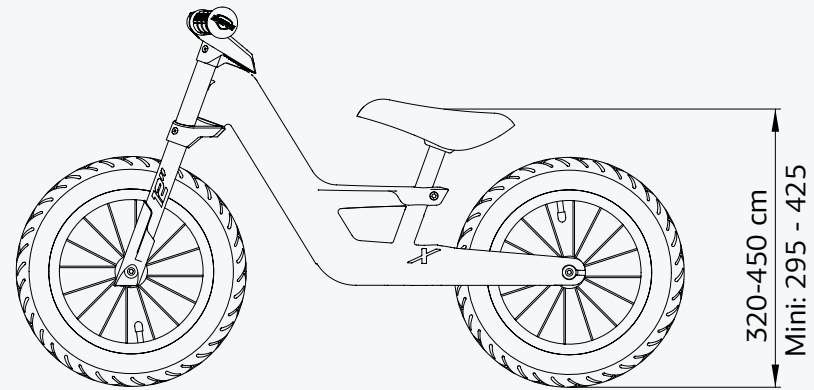
41.5 cm
(all models)



Tire diameter Mini 25 cm

Tire diameter other models: 30 cm

Mini: 47.5 cm
Other models: 50.5 cm



Mini: 82.5 cm | other models: 88.5 cm





BERG BIKY DATA

Great for the city made for adventure

General	10" Mini	12" City/Cross/Retro
Recommended age	2-5	2.5-5
Min. user height	85 cm	90 cm
Max. user height	115 cm	120 cm
Max. user weight	30 kg	30 kg
Parental supervision required	Yes	Yes
Safety certification	CE	CE
Assembly time	<10 min	<10 min
Physical features		
Length	82.5 cm	88.5 cm
Width	41.5 cm	41.5 cm
Height	47.5 cm	50.5 cm
Warranty		
Frame	2 Year	2 Year
Parts	2 Year	2 Year
Tyres	0 Year	0 Year

Technical features	10" Mini	12" City/Cross/Retro
Gears	none	none
Tyre type	EVA+	Pneumatic tyres
Frame material	Magnesium	Magnesium
Forward and reverse	n.a.	n.a.
Braking system	n.a.	n.a.
Parking brake	n.a.	n.a.
Transmission	n.a.	n.a.
Ball bearings	Yes	Yes
Swing axle	n.a.	n.a.
Adjustable seat	Yes	Yes
Adjustable handlebar	No (steering angle only)	No (steering angle only)
Packaging		
Measurements	66x14x47 cm	66x14x47 cm
Cardboard in packaging	Yes	Yes
Synthetic material in packaging	0.02 kg (or 20 g)	0.02 kg (or 20 g)
Hardboard in packaging	0.96 kg	1.04 kg
Amount on block pallet	84	84
Amount on euro pallet	60	60

*This information is subject to change and may vary



