



BERG BUZZY

Productsheet



BUZZY BSX, BUZZY BLOOM, BUZZY NITRO, BUZZY JOHN DEERE, BUZZY AERO,
JEEP BUZZY SAHARA, JEEP BUZZY RUBICON, BUZZY BEATZ

*More stable, much faster
and **more fun** than
any tricycle!*

BERGTOYS.COM

years

2.5

85 to 115 cm



BERG BUZZY

Beats every tricycle - due to 4 wheel stability

Get your first pedal experience on a BERG Buzzy. This super cool sensation on four wheels is much more stable than a three-wheeler. Your feet remain firmly on the pedals even round sharp corners.

The size of the BERG Buzzy and its EVA tyres make it suitable for indoor and outdoor use. Even the rain will not stop you from having lots of fun with your go-kart! The BERG Buzzy is suitable for children aged 2-5.



BEATS EVERY TRICYCLE
DUE TO 4 WHEEL STABILITY

*More stable, much faster
and **more fun** than
any tricycle!*

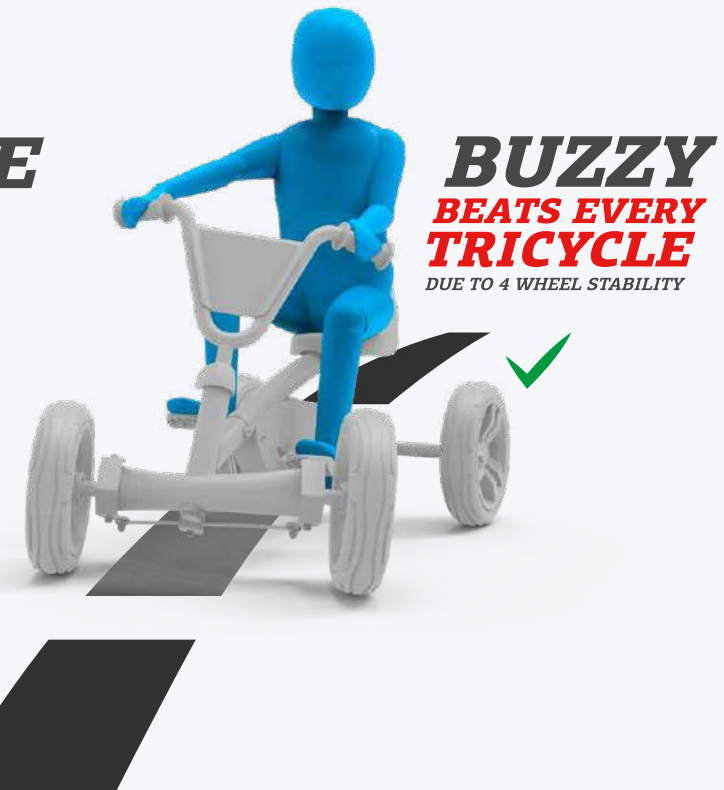
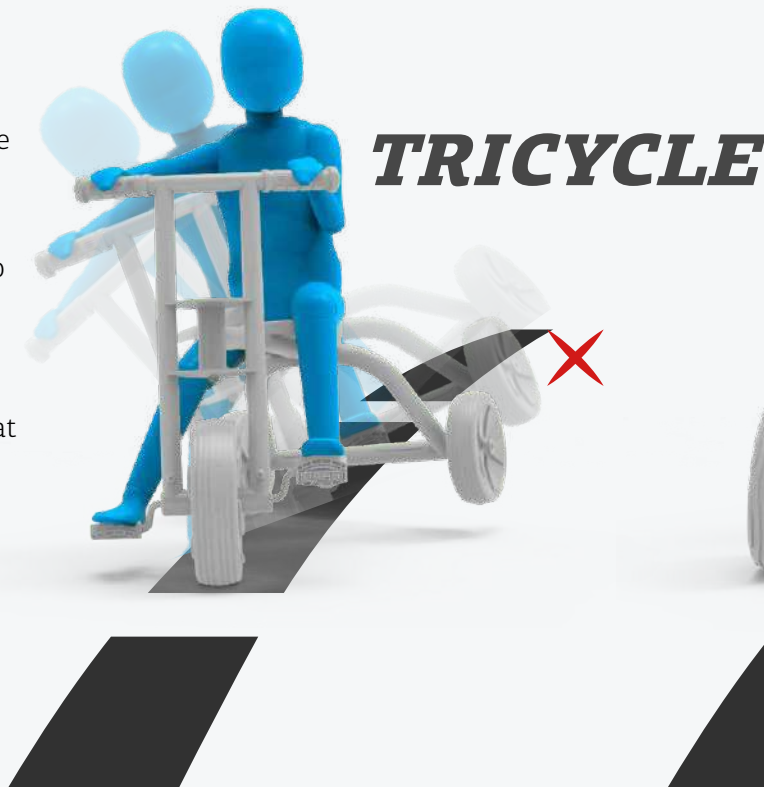




THE FOUR WHEELS ENSURE STABILITY

Thanks to its four wheels, the BERG Buzzy has excellent stability. Because tricycles have one wheel less, they are far less stable. The centre of gravity of a tricycle is close to the tilt line, the line between the front and the rear wheels. Riding sharply or fast around corners on a tricycle can easily cause it to tip over, along with its passenger. Because the Buzzy has four wheels the tilt line is much further outwards and further away from the centre of gravity. This makes it virtually impossible for the Buzzy to tip over, which makes it much safer.

Also, the BERG Buzzy is equipped with a swing axle. This creates a swinging motion of the front wheels which absorbs the impact of bumps in the road. This means that you have grip on the road at all times and so less risk of tipping over!



More stable, much faster
and **more fun** than
any tricycle!

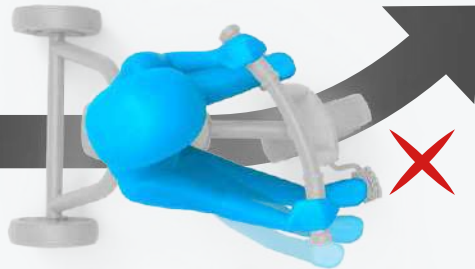




CONTROLLED STEERING AND PEDALLING

Unlike a tricycle, the pedals and the handlebars of the Buzzy can be operated independently. This ensures that the pedals do not move when steering and the feet remain firmly on the pedals at all times. Riding and steering therefore have no influence on each other, which makes riding on the Buzzy much more fun.

TRICYCLE



BUZZY
BEATS EVERY
TRICYCLE

DUE TO 4 WHEEL STABILITY



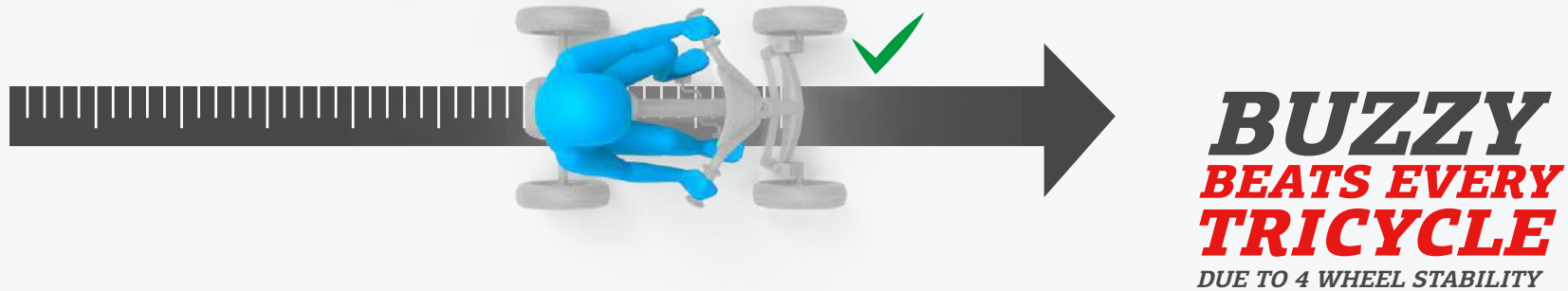
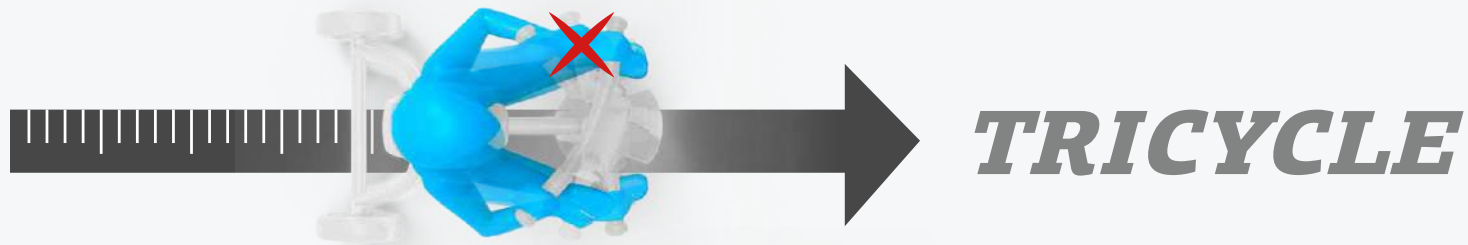
*More stable, much faster
and **more fun** than
any tricycle!*





SMOOTH AND FAST ACCELERATION

Because the pedals and the handlebars on a tricycle are connected to each other, a lot of energy is lost in the motion of the handlebars when setting off. The pedals and the handlebars on a Buzzy are not connected and therefore the energy used when pedalling is directly converted into the forward movement of the Buzzy.



Place a tricycle next to a Buzzy and you will see how easy and smooth the Buzzy sets off.

BUZZY
BEATS EVERY
TRICYCLE
DUE TO 4 WHEEL STABILITY

*More stable, much faster
and **more fun** than
any tricycle!*

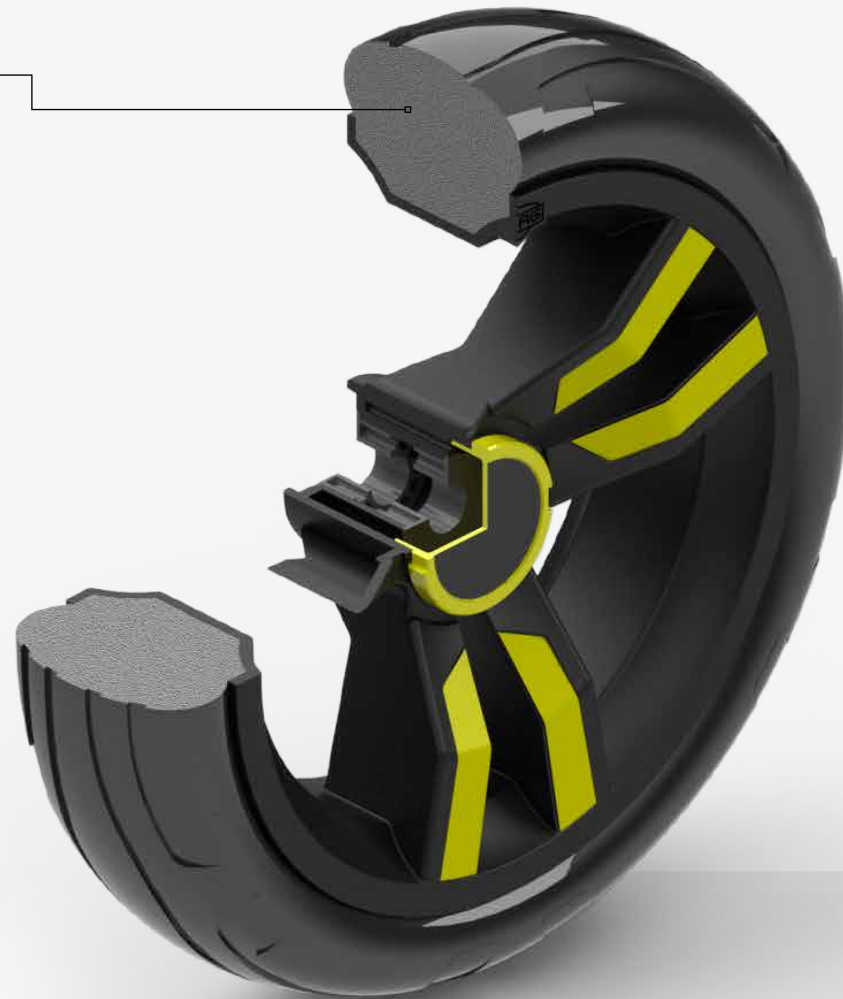




EVA TYRES

For the BERG Buzzy, this high-tech foam is the ideal replacement for the traditional rubber inner and outer tyres. Thanks to the right composition, the tyres are just as durable as traditional rubber tyres but without the risk of a flat tyre.

The tyres are also very silent when driving, which makes them ideal for indoor and outdoor use.





CHARACTERISTICS



Suitable for children aged 2-5

Three adjustable seat positions

Robust frame

Can be driven forwards and backwards

EVA tyres, so no more flat tyres

The direct drive system makes pedalling intuitive, easy and fast

The handlebar won't shoot out of your hands while pedalling



The pedals stay easily accessible while steering

Steeringwheel is suitable for BERG Soundbox Race (only compatible to BERG Buzzy Aero)

Sleek and attractive design with an active seat

Stable and safe thanks to 4 wheels

A swing axle for perfect roadholding



BERGTOYS.COM

More stable, much faster
and **more fun** than
any tricycle!





24.30.03.00

BERG BUZZY BSX

Beats every tricycle - due to 4 wheel stability

The BERG Buzzy BSX is a cool, bright yellow go-kart with which your child will definitely steal the show in your neighbourhood. With its 4 wheels, the BSX is sturdier and safer than a three-wheeler. Your feet will remain firmly on the pedals even when going round the tightest corners. Because of the direct drive, you can drive forwards, backwards and brake within a few seconds. The seat and steering wheel are adjustable, providing children with years of pleasure on their Buzzy. Suitable for children aged 2-5 years.



Weight product: 7 kg
Weight with box: 8.5 kg
Box size in cm: 46x50x25





24.30.14.00

BERG BUZZY BEATZ

Beats every tricycle - due to 4 wheel stability

Thanks to its four wheels, the BERG Buzzy Beatz is far more stable than any tricycle. And it's just so safe! What's more, your feet remain firmly on the pedals even round the tightest bends, because the pedals are not connected to the handlebars. This makes pedalling a lot easier and it feels like you're flying above the pavement or tarmac and it goes backwards just as fast! Do you love music? Then the Buzzy Beatz comes with a great soundbar for you. You can use this to record and play your favourite music. Maybe choose your own rap, which you can play over and over. The soundbar is built into the ergonomic handlebars, making it easy and safe to operate.



Weight product: 7.0 kg
Weight with box: 8.5 kg
Box size in cm: 46x50x25





24.30.01.00

BERG BUZZY NITRO

Beats every tricycle - due to 4 wheel stability

Which boy or girl is brave enough to take on this go-kart?! The BERG Buzzy Nitro is only for true off-road heroes! A BERG Buzzy with all the familiar features, but in a supercool version. The cool stickers, awesome suspension and, of course, the fantastic tyres make this off-road monster the coolest go-kart in the neighbourhood. Will you soon be the boss of this off-road monster?



Weight product: 7.2 kg
Weight with box: 8.7 kg
Box size in cm: 46x50x25





24.30.02.00

BERG BUZZY BLOOM

Beats every tricycle - due to 4 wheel stability

Wow, how cute is the BERG Buzzy Bloom?! This pink go-kart can be made to look as nice as you want it to look. You can stick on the stickers yourself! So, will you soon be designing your own go-kart? You can then go shopping with mummy or daddy and take your handy little basket with you! Or you can go on a nice picnic in the park. Anything is possible with this BERG Buzzy Bloom!



Weight product: 7 kg
Weight with box: 8.5 kg
Box size in cm: 46x50x25





24.30.12.00

JEEP BUZZY SAHARA

Beats every tricycle - due to 4 wheel stability

With its Jeep grill, solid hood, unique steering wheel and off-road tyres, this Jeep Buzzy Sahara offers unforgettable driving pleasure. On this Jeep your child can tackle any terrain. The direct drive system makes pedalling supple and light. In this Sahara you can tear through puddles, plough through sand and venture into wooded areas effortlessly!

The Jeep Buzzy Sahara's 4 EVA tyres keep the go-kart firmly on the ground. Your child will therefore sit safely and securely. The steering wheel and seat are adjustable, making this Jeep suitable for children aged 2-5.



Weight product: 7.5 kg
Weight with box: 9 kg
Box size in cm: 46x50x25



Jeep, the Jeep grille and related logos, vehicle model names and trade dress are trademarks of FCA US LLC and used under license by BERG Toys. ©2021 FCA US LLC.



24.30.13.00

JEEP BUZZY RUBICON

Beats every tricycle - due to 4 wheel stability

Let your child dream, do and discover in a real Jeep! The Jeep Buzzy Rubicon is a true off-road sensation. The off-road tyres, round steering wheel with spinner knob, and cool hood with grill and angry-looking eyes make this a real Jeep Rubicon.

The 4 EVA tyres ensure this robust Jeep Buzzy is firmly grounded. The good connection between the front and rear axles makes pedalling easy, even for little ones. This Jeep is suitable for children from the age of 2.



The direct drive system makes pedalling intuitive, easy and fast

Always in control over the pedals, even while steering



Jeep, the Jeep grille and related logos, vehicle model names and trade dress are trademarks of FCA US LLC and used under license by BERG Toys. ©2021 FCA US LLC.

Weight product: 7.5 kg

Weight with box: 9 kg

Box size in cm: 46x50x25





24.30.11.00

BERG BUZZY JOHN DEERE

Beats every tricycle - due to 4 wheel stability

The best tractor for the smallest child, the Buzzy John Deere! All the functions and unique features of a BERG Buzzy integrated in a cool and unique John Deere design. The sturdy steering wheel with knob, the large bonnet with cool grill and, of course, the wide tractor tyres make this a genuine John Deere. You will certainly have more fun with this Buzzy John Deere and you can easily ride alongside daddy in his John Deere!



The direct drive system makes pedalling intuitive, easy and fast

Always in control over the pedals,



Weight product: 7.2 kg
Weight with box: 8.7 kg
Box size in cm: 46x50x25



BERGTOYS.COM

EAN-CODE: **8715839057744**



24.30.21.00

BERG BUZZY AERO

Beats every tricycle - due to 4 wheel stability

The BERG Buzzy Aero is the first racing car for your child! This go-kart with its tough bonnet, robust frame and fast racing tyres guarantees a real racing experience. The Aero's 4 EVA tires keep this racer super stable through the sharpest corners. On the Aero, children can ride forwards or backwards and brake easily!



Weight product: 7.2 kg
Weight with box: 8.7 kg
Box size in cm: 46x50x25





BERG BUZZY ACCESSOIRES

Beats every tricycle - due to 4 wheel stability

Accessory	Article	Product weight	Product weight + Box	Box size in CM
1 BERG Safety Flag S/M*	16.00.03.00	0.17	0.35 kg	62x18x5
2 BERG Trailer S (includes towbar)	18.24.30.00	3 kg	4.5 kg	20x65x45
3 BERG Buzzy Basket Yellow**	16.67.00.00	0.13 kg	0.26 kg	20.5x15x18
4 BERG Soundbox Race***	16.00.02.00	0.12 kg	0.13 kg	15x11x4

** Not compatible with the Buzzy John Deere, Buzzy Aero, Buzzy Nitro, Jeep Buzzy Sahara, Jeep Buzzy Rubicon, Buzzy Beatz

*** Only compatible with BERG Buzzy Aero



* Including sticker set for the rims



* For BERG Safety Flag compatibility, check if your Buzzy is accommodated with a small hole on either side of the seating tube positioned directly on the back side of the go-kart seat.



More stable, much faster
and **more fun** than
any tricycle!

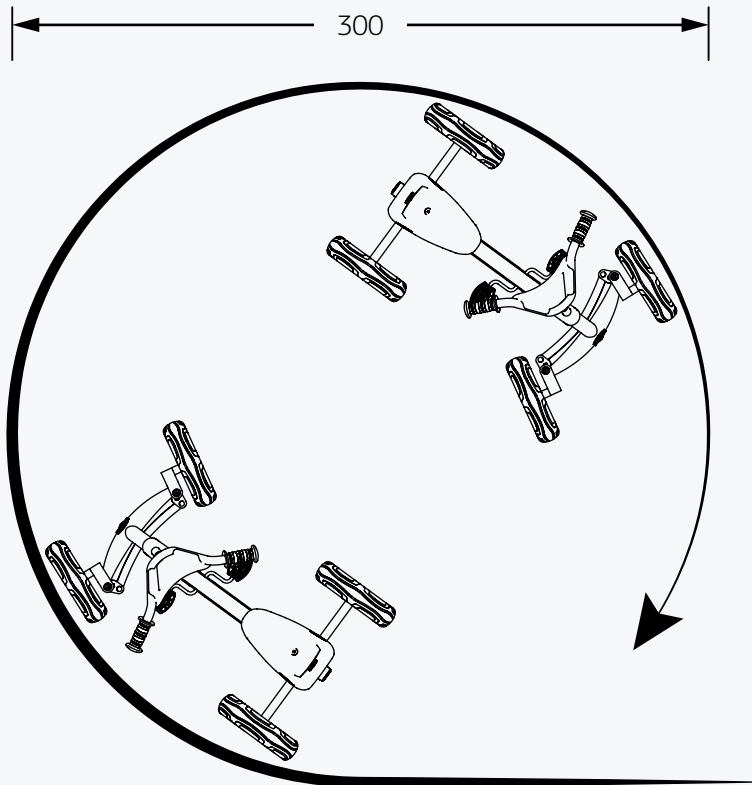




BERG BUZZY DATA

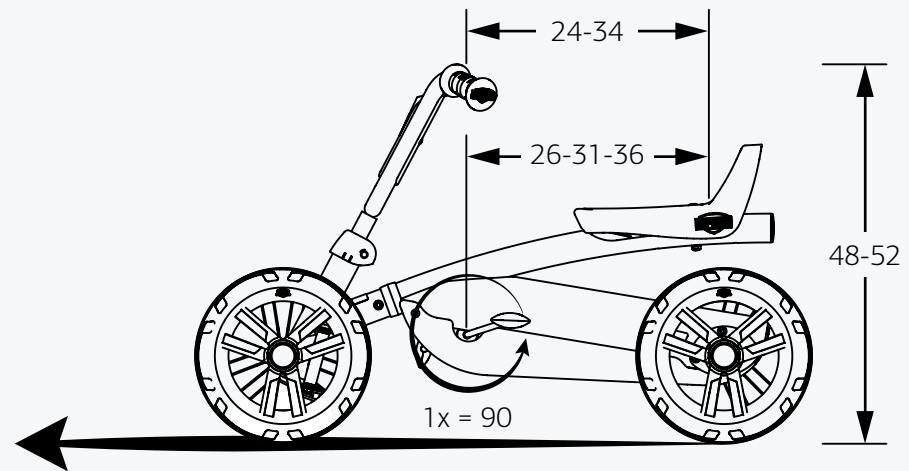
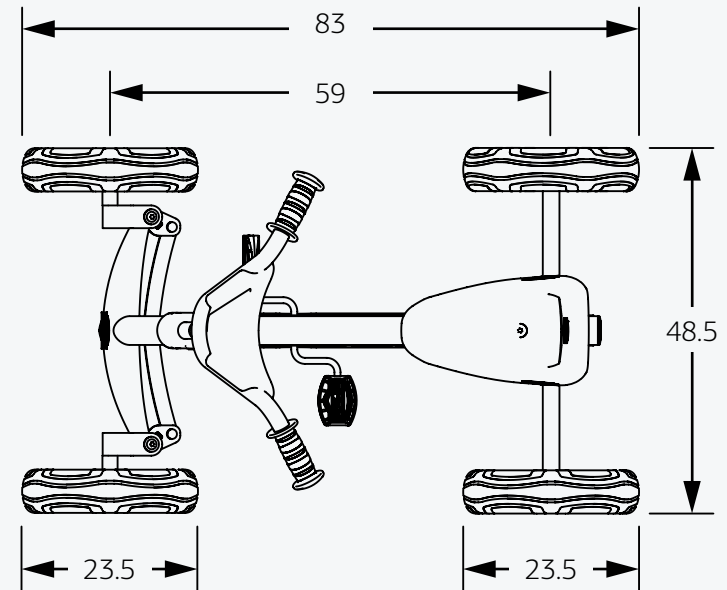
Beats every tricycle - due to 4 wheel stability

The following data is applicable on all Buzzy versions.



* All dimensions in cm

BERGTOYS.COM





BERG BUZZY DATA

Beats every tricycle - due to 4 wheel stability

General

Recommended age	2 - 5 years
Min user height	85 cm
Max user height	115 cm
Max user weight	30 kg
Parental supervision necessary	Yes
Safety mark	TÜV + CE
Assembly time	±30 min

Physical characteristics

Length	83 cm
Width	49 cm
Height	50 cm

Warranty

Frame	2 years
Parts	2 years
Tyres	0 years

Technical characteristics

Gears	N.A.
Tyre type	Solid
Frame arial	Steel
Forward and backward	Yes
Braking system	Direct Drive
Parking brake	N.A.
Transmission	Direct Drive
Ball bearings	Yes
Swing axle	Yes
Adjustable seat	Yes
Adjustable steering wheel	Yes/No
Trailer connection	N.A.

Packaging

Dimensions	46x50x25 cm
Cardboard in packaging	1.50 kg
Synthetic material in packaging	0.05 kg
Hardboard in packaging	0 kg
Number on Blok pallet	40 pieces
Number on Euro pallet	21 pieces

* This information is subject to change and may vary



